

# REAL CONTROLLER PRO

WATER QUALITY  
MONITORING  
SOLUTIONS



## FEATURES & BENEFITS

- 12.1" colour LCD, touch screen graphic interface
- Easy to navigate Liquid Ai software
- Multiple sensor and accessory integration
- Quick analysis of historic trends in seconds
- Modbus TCP standard
- Optional Modbus RTU (RS485), WiFi, 4-20 mA, Digital I/O and cell modem

## OVERVIEW

Full control and monitoring of multiple sensors can be achieved with the plug and play Real Controller Pro. Featuring a 12.1" colour LCD touch screen graphic interface, the controller offers superior functionality and configurability while maintaining ease of use and navigation. The controller provides proprietary inputs for multiple Real Tech sensors and accessories bringing all water quality data to a single location - making analysis quick and simple. Modbus TCP is standard with optional Modbus RTU (RS485), 4-20 mA input, 4-20 mA output, Digital I/O dry contacts, WiFi module and cell modem.

## CONTROLLER UPGRADES

PRODUCT #	NAME	DESCRIPTION
S-164111	WiFi for Real Controller Pro	WiFi module for remote connectivity
S-168111	4-20 mA input (4)	4-20 mA input module, four channel
S-178113	4-20 mA output (1)	4-20 mA output module, one channel
S-178114	4-20 mA output (2)	4-20 mA output module, two channel
S-178115	4-20 mA output (4)	4-20 mA output module, four channel
S-218151	Modbus RTU (RS485)	Modbus RTU (RS485) for Real Controller Pro
S-168120	Digital I/O dry contact module	4 input and 4 output dry contacts
S-214101	Cell Modem	Connectivity via cell connection for any Real Tech Controller

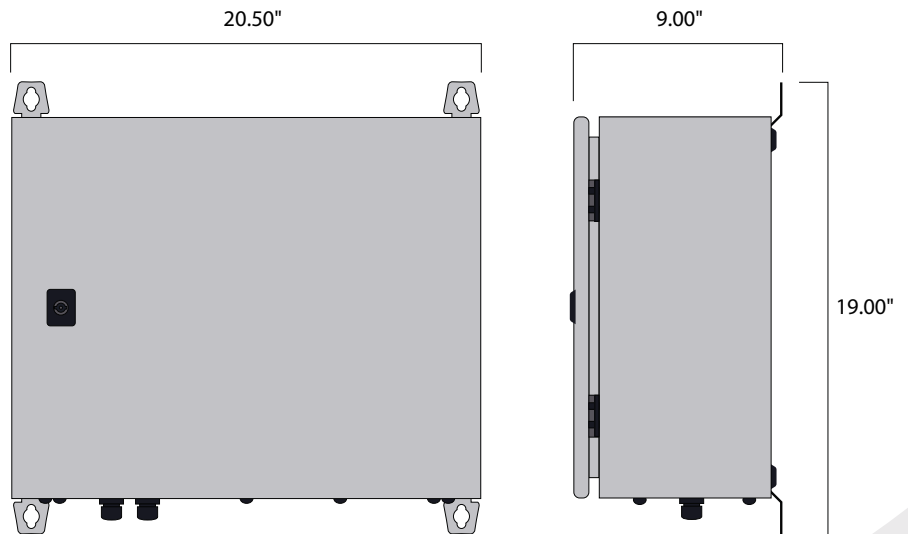
## SPECIFICATIONS

CHARACTERISTIC	TECHNICAL DATA
Product #	S-11TPC (Interface inside cabinet) or S-11TPCD (interface external on cabinet door)
Compatibility	All sensors
Display/ Operator Interface	12.1" colour LCD 1024 x 768, Touch screen graphical interface.
Operating System	Windows Embedded
Memory	32 GB
Inputs	Proprietary inputs for Real Tech sensors and accessories, Modbus RTU (RS485), and Modbus TCP. Optional: 4-20 mA inputs, Digital inputs.
Alarms	Display of sensor specific alarms. Aggregate alarms.
Communication	Modbus TCP standard. Optional: Modbus RTU (RS485), 4-20 mA outputs, Digital outputs, WiFi, Cell modem
Data Logging	Onboard (18 months nominal configuration dependent). Export data via USB. Optional: Remote data logging with Liquid Ai services.
Electrical	24VDC 13.4A power adapter (accepts 90-250VAC 50/60Hz)
Enclosure	NEMA 4, wall mountable
Dimensions	19.0"H x 20.5"W x 9.0"D
Operating Temp	0 to 45°C (32 to 113°F)
Storage Temp	-20 to 60°C (-4 to 140°F)
Weight	35 lb
Warranty	2-year limited warranty

\* Technical Specifications are subject to change without notice.

## DIMENSIONS

The Real Controller Pro is installed directly on a wall, railing or system backboard.



### Real Tech Inc.

1150 Champlain Court,  
Whitby, Ontario L1N 6K9 Canada  
TF: 1.877.779.2888 T: 1.905.665.6888  
info@realtechwater.com