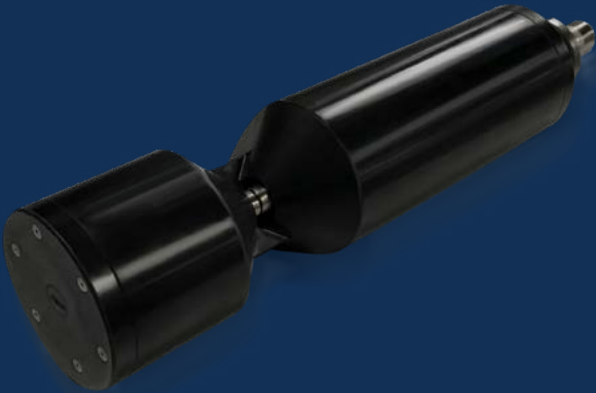


UVT PROBE

WATER QUALITY
MONITORING
SOLUTIONS

S SERIES



FEATURES & BENEFITS

- Affordable real-time UV transmittance (UVT) monitoring
- Robust submersible probe for in-situ measurement
- Operator friendly, low maintenance UV LED design
- Innovative custom calibration limits maintenance
- Simple to install and easy to operate

REAL-TIME MONITORING SOLUTION

UVT Probe

Real Tech's robust UVT probe sensor provides rapid real-time measurement of ultraviolet transmittance (UVT) in water or wastewater. Continuous UVT monitoring can bring significant value to many applications including UV disinfection.

The effectiveness of a UV disinfection system is determined by the UV dose that the system is able to deliver to the water. The UV dose is dependent primarily on the combined effects of the UV light intensity, the exposure time of the system and the UVT of the water. Therefore, precise and reliable UVT monitoring is required for optimal performance and efficiency. Real Tech's S series UVT probe is cost effective and accurate, making it a practical choice for many UV disinfection applications.

Controllers and Accessories

Our innovative modular product platform ensures our clients gain the real-time water quality monitoring system that meets their specific demands and budget. With multiple controller and accessory options available such as automatic compressed air cleaning systems that lower maintenance while improving system performance, Real Tech provides a total solution for all of your unique water quality needs.

MEASUREMENT PRINCIPLE

Real Tech's UVT probe sensor utilizes light at 254 nm wavelength as most organic compounds (specifically aromatic organics) absorb light at this wavelength. Benefiting from a long-life UV LED lamp, accurate and stable measurements are obtained with minimal maintenance or operator intervention.

MUNICIPAL DRINKING WATER
MUNICIPAL WASTEWATER
INDUSTRIAL PROCESS WATER
INDUSTRIAL WASTEWATER

REALTECH
INC.



UVT PROBE SPECIFICATIONS

CHARACTERISTIC	TECHNICAL DATA
Path Length	1, 2, 4, 10 mm
Parameters	UVT
Range	Depends on model selected. Refer to range chart.
Accuracy	± 0.5% FS
Units	% or cm ⁻¹
Sampling Time	10 seconds
Calibration	Factory calibrated. Field adjustment of calibration is possible.
Cleaning	Automatic compressed air or pressurized water cleaning with optional Probe Clean System
Self-Diagnostics	Detection and diagnosis of internal system fault
Alarms	Continuous detection of leaks, lamp output, humidity, temperature and electrical fault
Humidity Control	Humidity sensor with desiccant pack
Wavelength	254 nm
Light Source	UV LED
Electrical/Comm.	From controller
Operating Temp.	0 to 45°C (32 to 113°F)
Housing Material	HDPE
Wetted Materials	HDPE, Sapphire, Epoxy, Titanium, SS 316L, Viton
Weight	5 lb
Dimensions	13.7" H x 2.9" Diameter
Warranty	2-year limited warranty (Extended care packages available)

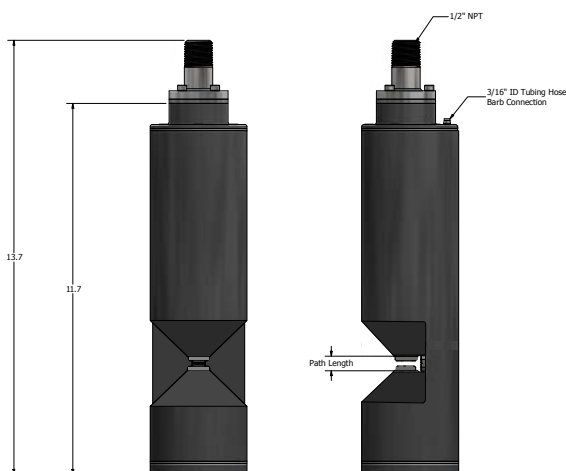
* Technical Specifications are subject to change without notice.

* Operating (water) temperature absolute maximum 55°C (131°F). Instrument performance reduced when operating outside recommended operating range. Contact Real Tech to verify application.

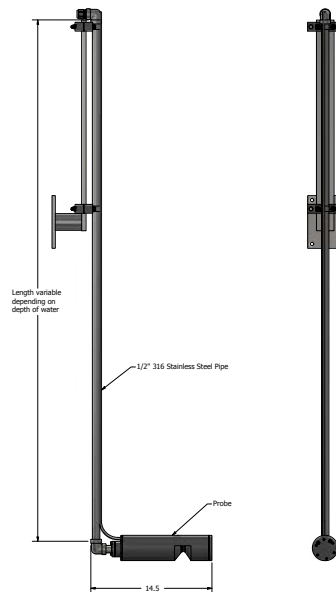
DIMENSIONS

The UVT probe is a submersible instrument installed directly in-situ using a mounting kit attached to a tank wall or railing.

DIMENSIONS FOR UVT PROBE



MOUNTING FOR UVT PROBE



PROBE MODELS & RANGE

Includes UVT probe sensor and 35 feet of communication cable.
Controller, mounting kit and cleaning system sold separately.

MODEL	PATH LENGTH	UVT (%)
S2010	1 mm	0 - 100
S2020	2 mm	0 - 100
S2040	4 mm	0 - 100
S2100	10 mm	1 - 100

* Stated ranges approximate, dependent on industry, site and application - contact Real Tech to confirm model selection

CONTROLLERS

PRODUCT #	NAME	DESCRIPTION
S-169000	Real Controller	Wall mounted controller with 4-line x 20-character back lit LCD display
S-11TPC	Real Controller Pro	Wall mounted controller with touch panel PC interface (PC inside cabinet model)
S-11TPCD	Real Controller Pro	Wall mounted controller with touch panel PC interface (PC external on door model)

ACCESSORIES

PRODUCT #	NAME	DESCRIPTION
S-228070	Probe Clean System	Cleaning valve module requires on-site compressed air or pressured water for automatic probe cleaning
S-228080	Compressed Air System	Compressor for air cleaning when compressed air not available on-site
S-189031	Probe Mounting Kit I	Provides secure mounting attachment for probe to a tank wall or open channel wall. No pole included
S-189032	Probe Mounting Kit II	Provides secure mounting attachment for probe to a tank wall or open channel wall. 5ft pole included
S-189033	Probe Mounting Kit III	Provides secure mounting attachment for probe to a tank wall or open channel wall. 10ft pole included

Real Tech Inc.

1150 Champlain Court,
Whitby, Ontario L1N 6K9 Canada
TF: 1.877.779.2888 T: 1.905.665.6888
info@realtechwater.com

REALTECH
INC.