

CONDUCTIVITY PROBE

CON1000A / CON1000L



FEATURES & BENEFITS

- Affordable real-time conductivity and salinity monitoring
- Range for wastewater to high purity applications
- Operator friendly, low maintenance design
- Ultra-low power requirements
- Simple to install and easy to operate
- Four electrodes technology
- Robust and compact design

MUNICIPAL DRINKING WATER
MUNICIPAL WASTEWATER
COASTAL WATER
INDUSTRIAL WASTEWATER

WATER QUALITY
MONITORING
SOLUTIONS

REAL-TIME MONITORING SOLUTION

Conductivity Probe

Real Tech's Conductivity sensor provides rapid real-time measurement of conductivity and salinity in water or wastewater. This compact and robust sensor is available as a submersible probe for open channel wastewater installations or as a bypass style sensor for pressurized water installations.

Controllers and Accessories

Our innovative modular product platform ensures our clients gain the real-time water quality monitoring system that meets their specific demands and budget. With multiple sensor, controller and accessory options available, Real Tech provides a total solution for all of your unique water quality needs.

Liquid Ai Compatible

Our Liquid Ai data services complement our real-time water quality monitoring systems. Our Remote Monitoring platform is a powerful data management and visualization tool that enables access to data anywhere, anytime.

MEASUREMENT PRINCIPLE

Real Tech's Conductivity probe measurement is based on the use of 4 electrodes. An alternating current of constant voltage is established between the graphic pair of electrodes. The voltage measured between these electrodes is a function of resistance, and therefore, conductivity. The platinum electrodes regulate voltage to prevent fouling of the graphic electrodes allowing for robust measurement in multiple applications.

REALTECH
INC.



CONDUCTIVITY PROBE SPECIFICATIONS

| CHARACTERISTIC | TECHNICAL DATA |
|--------------------------|---|
| Parameters | Conductivity, salinity |
| Range | 0 to 200 mS/cm in 4 ranges: (0-200 μ S/cm, 0-2000 μ S/cm, 0-20 mS/cm, 0-200 mS/cm) |
| Accuracy | +/- 1% of the full range |
| Resolution | From 0.01 to 1, according to the range |
| Units | mS/cm |
| Response Time | < 5 s |
| Measurement Principle | Conductivity sensor with 4 electrodes (2 graphic, 2 platinum) |
| Operating Temperature | 0 – 50°C |
| Temperature Compensation | NTC thermistor |
| Measurement Refresh Rate | < 1 second maximum |
| Electrical/Communication | From controller |
| Operating Temp. | 0°C to 50°C (32 to 122°F) |
| Storage Temp. | -10°C to 60°C (14 to 140°F) |
| Weight | 1 lb |
| Warranty | 2-year limited warranty |

SPECIFICATIONS FOR CON1000A ONLY

Dimensions 6.18"H x 1.06" Diameter

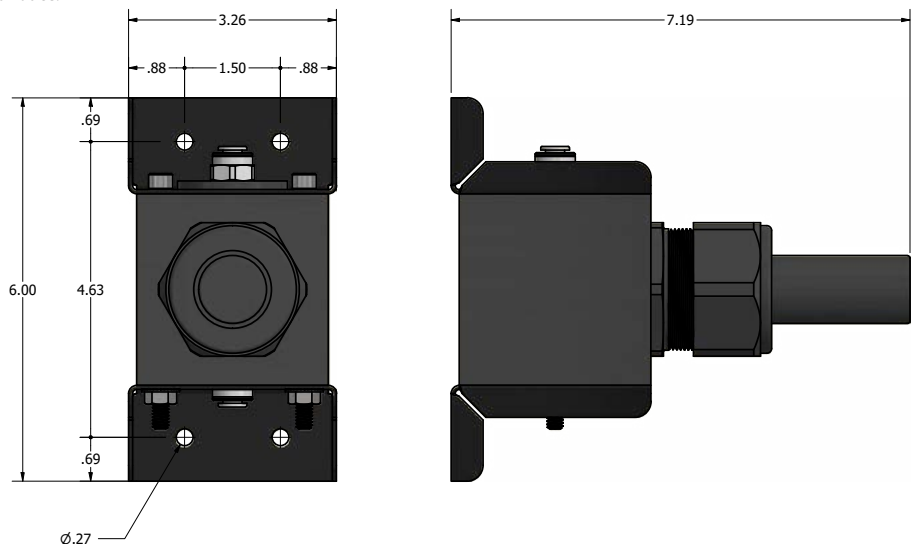
SPECIFICATIONS FOR CON1000L ONLY

Flow Rate 300-1000 mL/min
 Pressure Rating 5 PSI maximum
 Fluid Connections 1/4" OD tube push-in fittings
 Dimensions 6.00"H x 3.26"W x 7.19"D

* Technical Specifications are subject to change without notice.

DIMENSIONS FOR CON1000L

The CON1000L Conductivity sensor is installed in a bypass manifold that is mounted directly on a wall, railing or system backboard. Sample is supplied to the sensor from a pressurized source.



SENSOR MODELS

Includes conductivity probe and 50 ft communication cable.
Controller and accessories sold separately.

| MODEL # | NAME | DESCRIPTION |
|----------|---------------------------------|--|
| CON1000A | Real Conductivity Probe Sensor | Submersible probe idea for open channel wastewater applications. Optional Mounting Kits available. |
| CON1000L | Real Conductivity Bypass Sensor | Bypass style sensor ideal for pressurized water applications. Includes bypass chamber. |

RANGE

| MODEL # | CONDUCTIVITY (mS/cm) |
|---------------------|---|
| CON1000A / CON1000L | 00 to 200 mS/cm in 4 ranges (-200 μ S/cm, 0-2000 μ S/cm, 0-20 mS/cm, 0-200 mS/cm) |

* Stated ranges approximate, dependent on industry, site and application

CONTROLLERS

| PRODUCT # | NAME | DESCRIPTION |
|-----------|---------------------|---|
| S-169000 | Real Controller | Wall mounted controller with 4-line x 20-character back lit LCD display |
| S-11TPC | Real Controller Pro | Wall mounted controller with touch panel PC interface (PC inside cabinet model) |
| S-11TPCD | Real Controller Pro | Wall mounted controller with touch panel PC interface (PC external on door model) |

ACCESSORIES

| PRODUCT # | NAME | DESCRIPTION |
|-----------|------------------|---|
| S-189061 | Mounting Kit I | Probe Mounting Kit I with nozzle for CON1000A. No pole included. |
| S-189062 | Mounting Kit II | Probe Mounting Kit II with nozzle for CON1000A. 5' pole included. |
| S-189063 | Mounting Kit III | Probe Mounting Kit III with nozzle for CON1000A. 10' pole included. |

Real Tech Inc.

1150 Champlain Court,
Whitby, Ontario L1N 6K9 Canada
TF: 1.877.779.2888 T: 1.905.665.6888
info@realtechwater.com

REALTECH
INC.