

# TURBIDITY PROBE

TURB1000A / TURB1000L



## FEATURES & BENEFITS

- Affordable real-time turbidity or TSS monitoring
- IR optical measurement technology
- Operator friendly, low maintenance design
- Range for wastewater to high purity applications
- Ultra low-power consumption
- ISO 7027 compliant

MUNICIPAL DRINKING WATER  
MUNICIPAL WASTEWATER  
INDUSTRIAL PROCESS WATER  
INDUSTRIAL WASTEWATER

WATER QUALITY  
MONITORING  
SOLUTIONS

## REAL-TIME MONITORING SOLUTION

### Turbidity

Real Tech's Turbidity sensor provides rapid real-time measurement of turbidity or total suspended solids (TSS) in water or wastewater. This compact and robust sensor is available as a submersible probe for open channel wastewater installations or as a bypass style sensor for pressurized water installations.

### Controllers and Accessories

Our innovative modular product platform ensures our clients gain the real-time water quality monitoring system that meets their specific demands and budget. With multiple controller and accessory options available such as automatic chemical cleaning systems that lower maintenance while improving system performance, Real Tech provides a total solution for all of your unique water quality needs.

### Liquid Ai Compatible

Our Liquid Ai data services complement our real-time water quality monitoring systems. Our Remote Monitoring platform is a powerful data management and visualization tool that enables access to data anywhere, anytime.

## MEASUREMENT PRINCIPLE

Real Tech's turbidity sensor uses a low-cost optical technology for low maintenance operation with no consumables. The measurement principle is based on IR nephelometry / 850 nm and can be easily calibrated with a formazine standard solution.

**REALTECH**  
INC.



# TURBIDITY PROBE SPECIFICATIONS

CHARACTERISTIC	TECHNICAL DATA
Parameters	Turbidity, TSS
Range	0-4000 NTU in 5 ranges ( 0-50 NTU, 0-200 NTU, 0-1000 NTU, 0-4000 NTU ) or 0-4500 mg/L TSS
Accuracy	< 5% of the reading or 0.25 NTU whichever is greater
Resolution	From 0.01 to 1, depending on the NTU or mg/L range
Units	NTU or mg/L
Measurement Principle	Diffusion of IR at 90°
Response Time	< 5 s
Temperature Measurement	Using an NTC thermistor
Temperature Measurement Range	0 to 60°C
Temperature Resolution	0.01
Temperature Accuracy	+/- 0.5°C
Measurement Refresh Rate	< 5 second maximum
Electrical/Communication	From controller
Operating Temp.	0°C to 50°C (32 to 122°F)
Storage Temp.	-10°C to 60°C (14 to 140°F)
Materials	PVC, PMMA, POM C
Weight	1 lb
Warranty	2-year limited warranty

## SPECIFICATIONS FOR TURB1000A ONLY

Dimensions	6.69" H x 1.06" Diameter
------------	--------------------------

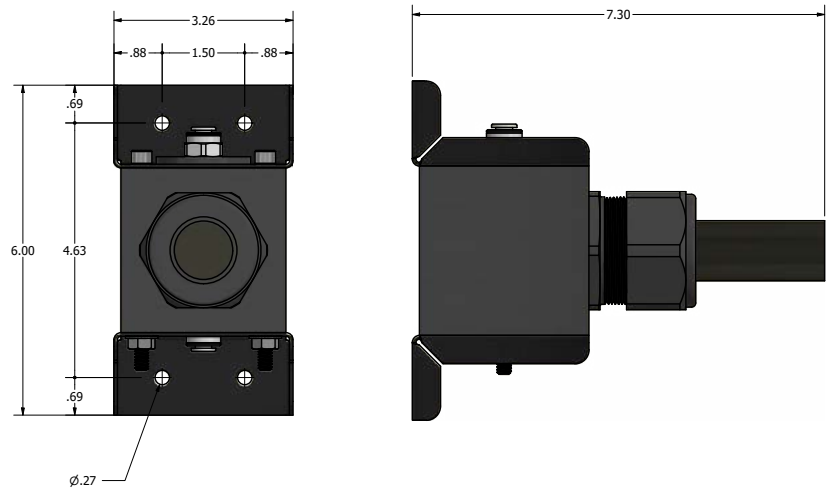
## SPECIFICATIONS FOR TURB1000L ONLY

Flow Rate	300-1000 mL/min
Pressure Rating	5 PSI maximum
Fluid Connections	1/4" OD tube push-in fittings
Dimensions	6.00"H x 3.26"W x 7.30"D

\* Technical Specifications are subject to change without notice.

### DIMENSIONS FOR TURB1000L

The TURB1000L Turbidity sensor is installed in a bypass manifold that is mounted directly on a wall, railing or system backboard. Sample is supplied to the sensor from a pressurized source.



## SENSOR MODELS

Includes turbidity probe and 50 ft communication cable.  
Controller and accessories sold separately.

MODEL #	NAME	DESCRIPTION
TURB1000A	Real Turbidity Probe Sensor	Submersible probe idea for open channel wastewater applications. Optional Mounting Kits available.
TURB1000L	Real Turbidity Bypass Sensor	Bypass style sensor ideal for pressurized water applications. Includes bypass chamber.

## RANGE

MODEL #	TURBIDITY RANGE	TSS RANGE
TURB1000A / TURB1000L	0-4000 NTU in 5 ranges: ( 0-50 NTU, 0-200 NTU, 0-1000 NTU, 0-4000 NTU )	0-4500 mg/L

\* Stated ranges approximate, dependent on industry, site and application

## CONTROLLERS

PRODUCT #	NAME	DESCRIPTION
S-169000	Real Controller	Wall mounted controller with 4-line x 20-character back lit LCD display
S-11TPC	Real Controller Pro	Wall mounted controller with touch panel PC interface (PC inside cabinet model)
S-11TPCD	Real Controller Pro	Wall mounted controller with touch panel PC interface (PC external on door model)

## ACCESSORIES

PRODUCT #	NAME	DESCRIPTION
S-189061	Mounting Kit I	Probe Mounting Kit I with nozzle for TURB1000A. No pole included.
S-189062	Mounting Kit II	Probe Mounting Kit II with nozzle for TURB1000A. 5' pole included.
S-189063	Mounting Kit III	Probe Mounting Kit III with nozzle for TURB1000A. 10' pole included.

### Real Tech Inc.

1150 Champlain Court,  
Whitby, Ontario L1N 6K9 Canada  
TF: 1.877.779.2888 T: 1.905.665.6888  
info@realtechwater.com

**REALTECH**  
INC.