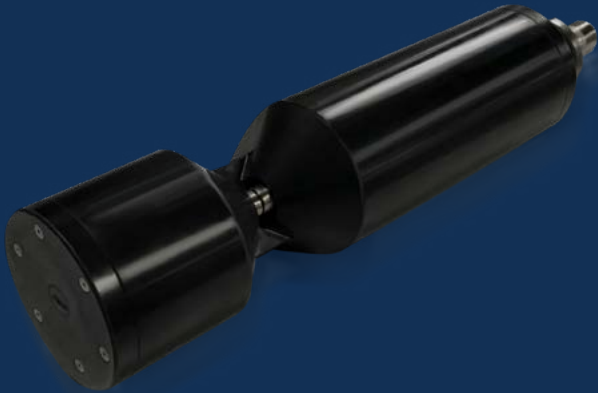


TSS PROBE

TA SERIES



FEATURES & BENEFITS

- Affordable real-time TSS monitoring
- Robust submersible probe for in-situ measurement
- Operator friendly, low maintenance design
- Long-life LED light source
- Simple to install and operate

MUNICIPAL WASTEWATER
INDUSTRIAL WASTEWATER

WATER QUALITY
MONITORING
SOLUTIONS

REAL-TIME MONITORING SOLUTION

TSS Probe

Real Tech's robust TSS submersible probe provides affordable real-time measurement of changes in total suspended solids (TSS) and/or particle concentration in wastewater. Designed to meet the needs of many monitoring applications, the TA series offers multiple sensor path length selections for the desired measurement range.

Controllers and Accessories

Our innovative modular product platform ensures our clients gain the real-time water quality monitoring system that meets their specific demands and budget. With multiple controller and accessory options available such as automatic compressed air cleaning systems that lower maintenance while improving system performance, Real Tech provides a total solution for all of your unique water quality needs.

Liquid Ai Compatible

Our Liquid Ai data services complement our real-time water quality monitoring systems. Calibration Health Monitoring ensures accuracy and reliability are maintained so our clients can have the utmost confidence in their results, while our Remote Monitoring platform enables access to data anywhere, anytime.

MEASUREMENT PRINCIPLE

Real Tech's TSS probe utilizes near infrared light for measurement to minimize or eliminate interference from other absorbing compounds. Benefiting from Real Tech's innovative LED technology, accurate and stable measurements are obtained with minimal maintenance or operator intervention.

REALTECH
INC.



TSS PROBE SPECIFICATIONS

CHARACTERISTIC	TECHNICAL DATA
Path Length	1, 2, 4, 10 mm
Parameters	Total suspended solids (TSS)
Range	Depends on model selected. Refer to range chart.
Units	mg/L
Sampling Time	10 seconds
Calibration	Factory calibrated. Field adjustment of calibration is possible.
Cleaning	Automatic compressed air or pressurized water cleaning with optional Probe Clean System
Self-Diagnostics	Detection and diagnosis of internal system fault
Alarms	Continuous detection of leaks, lamp output, humidity, temperature and electrical fault
Humidity Control	Humidity sensor with desiccant pack
Wavelength	Near infrared (NIR)
Light Source	LED
Electrical/Comm.	From controller
Operating Temp.	0 to 45°C (32 to 113°F)
Housing Material	HDPE
Wetted Materials	HDPE, Sapphire, Epoxy, Titanium, SS 316L, Viton
Weight	5 lb
Dimensions	13.7" H x 2.9" Diameter
Warranty	2-year limited warranty (Extended care packages available)

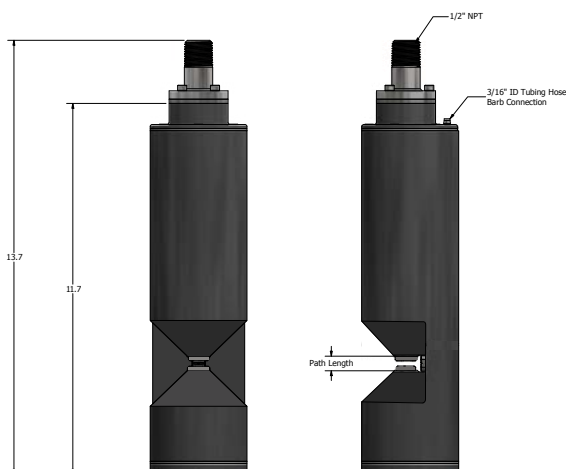
* Technical Specifications are subject to change without notice.

* Operating (water) temperature absolute maximum 55°C (131°F). Instrument performance reduced when operating outside recommended operating range. Contact Real Tech to verify application.

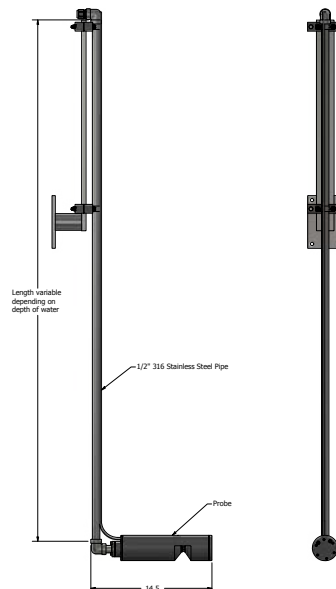
DIMENSIONS

The TSS probe is a submersible instrument installed directly in-situ using a mounting kit attached to a tank wall or railing.

DIMENSIONS FOR TSS PROBE



MOUNTING FOR TSS PROBE



PROBE MODELS & RANGE

Includes TSS probe sensor and 35 feet of communication cable.
Controller, mounting kit and cleaning system sold separately.

MODEL#	PATH LENGTH	TSS (mg/L)
TA2010	1 mm	0 - 20,000
TA2020	2 mm	0 - 10,000
TA2040	4 mm	0 - 5,000
TA2100	10 mm	0 - 2,000

* Stated ranges are approximate, dependent on industry, site and application - contact Real Tech to confirm model selection

CONTROLLERS

PRODUCT #	NAME	DESCRIPTION
S-169000	Real Controller	Wall mounted controller with 4-line x 20-character back lit LCD display
S-11TPC	Real Controller Pro	Wall mounted controller with touch panel PC interface (PC inside cabinet model)
S-11TPCD	Real Controller Pro	Wall mounted controller with touch panel PC interface (PC external on door model)

ACCESSORIES

PRODUCT #	NAME	DESCRIPTION
S-228070	Probe Clean System	Cleaning valve module requires on-site compressed air or pressured water for automatic probe cleaning
S-228080	Compressed Air System	Compressor for air cleaning when compressed air not available on-site
S-189031	Probe Mounting Kit I	Provides secure mounting attachment for probe to a tank wall or open channel wall. No pole included
S-189032	Probe Mounting Kit II	Provides secure mounting attachment for probe to a tank wall or open channel wall. 5ft pole included
S-189033	Probe Mounting Kit III	Provides secure mounting attachment for probe to a tank wall or open channel wall. 10ft pole included

Real Tech Inc.

1150 Champlain Court,
Whitby, Ontario L1N 6K9 Canada
TF: 1.877.779.2888 T: 1.905.665.6888
info@realtechwater.com

REALTECH
INC.