

COLOUR PROBE

CA-X SERIES



FEATURES & BENEFITS

- Affordable real-time colour monitoring
- Multiple wavelength sensor uses patent-pending technology for superior measurement performance
- Robust submersible probe with titanium housing
- Operator friendly, low maintenance design
- Reagent free optical measurements
- In accordance with ISO 6271-2016:05
- Simple to install and operate

MUNICIPAL DRINKING WATER
MUNICIPAL WASTEWATER
INDUSTRIAL PROCESS WATER
INDUSTRIAL WASTEWATER

WATER QUALITY
MONITORING
SOLUTIONS

REAL-TIME MONITORING SOLUTION

Colour Probe

Real Tech's robust submersible Colour Probe provides affordable real-time measurement of colour changes in water or municipal wastewater. The probe's rugged titanium body is built to withstand harsh environments. Designed to meet the needs of many monitoring applications, the CA-X series offers multiple path length selections for the desired measurement range.

Controllers and Accessories

Our innovative modular product platform ensures our clients gain the real-time water quality monitoring system that meets their specific demands and budget. With multiple controller and accessory options available such as automatic compressed air cleaning systems that lower maintenance while improving system performance, Real Tech provides a total solution for all of your unique water quality monitoring needs.

Liquid Ai Compatible

Our Liquid Ai data services complement our real-time water quality monitoring systems. Our Remote Monitoring platform is a powerful data management and visualization tool that enables access to data anywhere, anytime.

MEASUREMENT PRINCIPLE

Real Tech's Colour Probe utilizes patent-pending technology to provide superior measurement performance across multiple wavelengths of light using LEDs. The probe measures hues of yellow in the water in accordance with ISO 6271-2016:05. Compounds that may interfere with colour measurement, such as particles, are compensated for using an additional reference wavelength. Real Tech's colour probe is advancing water and wastewater management.

REALTECH
INC.



COLOUR PROBE SPECIFICATIONS

CHARACTERISTIC

TECHNICAL DATA

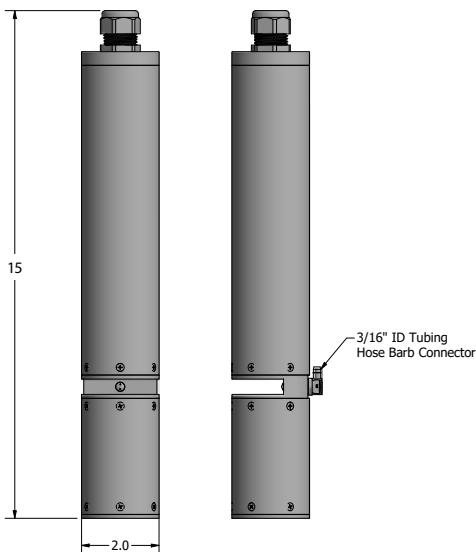
MODEL	CA-X2010	CA-X2020	CA-X2040	CA-X2100
Path Length	1 mm	2 mm	4 mm	10 mm
Parameter	Colour			
Range	Depends on model selected. Refer to range chart.			
Accuracy	± 0.5% full scale			
Units	PCU, PtCo or HU (hazen units)			
Sampling Time	10 seconds			
Calibration	Factory calibrated. Field adjustment of calibration is possible.			
Cleaning	Automatic compressed air cleaning with optional Real Air Clean Systems			
Self-Diagnostics	Detection and diagnosis of internal system fault			
Alarms	Continuous detection of leaks, lamp output, humidity, temperature and electrical fault			
Humidity Control	Humidity sensor with desiccant pack			
Wavelengths	Visible (VIS)			
Light Source	LED			
Electrical/Comm.	From controller			
Storage Temp.	-20 to 60°C (-4 to 140°F)			
Operating Temp.	0 to 45°C (32 to 113°F)			
Housing Material	Titanium			
Weight	4.6 lb			
Dimensions	15" H x 2.0" Diameter			
Warranty	2-year limited warranty (Extended care packages available)			

* Technical Specifications are subject to change without notice.

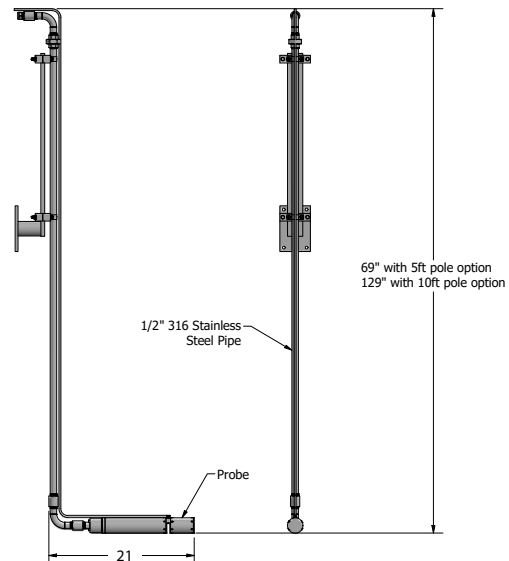
DIMENSIONS

The colour probe is a submersible instrument installed directly in-situ using a mounting kit attached to a tank wall or railing.

DIMENSIONS FOR COLOUR PROBE



MOUNTING FOR COLOUR PROBE



PROBE MODELS & RANGE

Includes colour probe sensor and 35 feet of communication cable.
Controller, mounting kit and cleaning system sold separately.

MODEL#	PATH LENGTH	COLOUR (PCU)
CA-X2010	1 mm	0 - 10,000
CA-X2020	2 mm	0 - 5,000
CA-X2040	4 mm	0 - 2,500
CA-X2100	10 mm	0 - 1,000

* Stated ranges are based on testing in deionized water. Interfering substances that may be present in the water may reduce the upper end of the measuring range.
Please contact Real Tech to confirm model selection.

CONTROLLERS

PRODUCT #	NAME	DESCRIPTION
S-169000	Real Controller	Wall mounted controller with 4-line x 20-character back lit LCD display
S-11TPC	Real Controller Pro	Wall mounted controller with touch panel PC interface (PC inside cabinet model)
S-11TPCD	Real Controller Pro	Wall mounted controller with touch panel PC interface (PC external on door model)

ACCESSORIES

PRODUCT #	NAME	DESCRIPTION
S-188101	Air Clean System I	Air cleaning valve module requires on-site air (no compressor)
S-188102	Air Clean System II	Low power automatic CO ₂ air cleaning system
S-188103	Air Clean System III	Automatic compressed air cleaning system including compressor
S-219081	Mounting Kit I	Provides secure mounting attachment for titanium probe to a tank wall or open channel wall. No pole included.
S-219082	Mounting Pole II	Provides secure mounting attachment for titanium probe to a tank wall or open channel wall. 5' pole included.
S-219083	Mounting Pole III	Provides secure mounting attachment for titanium probe to a tank wall or open channel wall. 10' pole included.

Real Tech Inc.

1150 Champlain Court,
Whitby, Ontario L1N 6K9 Canada
TF: 1.877.779.2888 T: 1.905.665.6888
info@realtechwater.com

REALTECH
INC.