

TOC PROBE

OA-X SERIES



FEATURES & BENEFITS

- Affordable real-time TOC organics monitoring
- Multiple wavelength sensor uses patent-pending technology for superior measurement performance
- Robust submersible probe with titanium housing
- Operator friendly, low maintenance UV LED design
- Reagent free optical measurements
- Simple to install and operate

MUNICIPAL DRINKING WATER
MUNICIPAL WASTEWATER
INDUSTRIAL PROCESS WATER
INDUSTRIAL WASTEWATER

WATER QUALITY
MONITORING
SOLUTIONS

REAL-TIME MONITORING SOLUTION

TOC Probe

Real Tech's robust TOC submersible probe provides affordable real-time measurement of total organic carbon (TOC) and/or dissolved organic carbon (DOC) in water or wastewater. The probe's rugged titanium body is built to withstand harsh environments. Designed to meet the needs of many monitoring applications, the OA-X series offers multiple path length selections for the desired measurement range.

Controllers and Accessories

Our innovative modular product platform ensures our clients gain the real-time water quality monitoring system that meets their specific demands and budget. With multiple controller and accessory options available such as automatic compressed air cleaning systems that lower maintenance while improving system performance, Real Tech provides a total solution for all of your unique water quality needs.

Liquid Ai Compatible

Our Liquid Ai data services complement our real-time water quality monitoring systems. Calibration Health Monitoring ensures accuracy and reliability are maintained so our clients can have the utmost confidence in their results, while our Remote Monitoring platform enables access to data anywhere, anytime.

MEASUREMENT PRINCIPLE

Real Tech's TOC probe utilizes patent-pending technology to provide superior measurement performance across multiple wavelengths of light using UV LEDs. Many compounds absorb light in the UV-VIS spectrum including organic compounds. The sensor measures organics in a multi-dimensional way that results in improved correlations to aggregate organic water quality parameters, such as TOC and DOC. This allows the sensor to be able to detect changes in the composition of organics independently of their concentration. Real Tech's innovative TOC probe is advancing water and wastewater management.

REALTECH
INC.



TOC PROBE SPECIFICATIONS

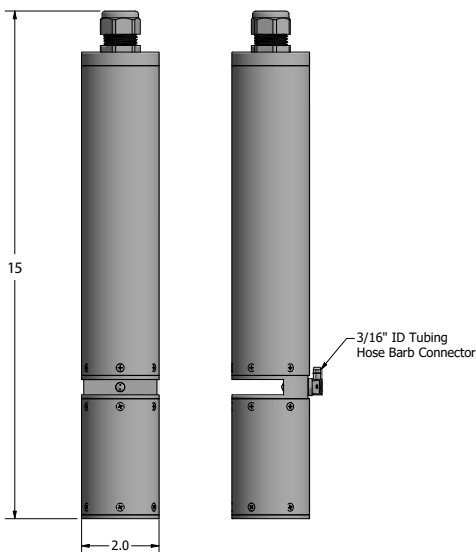
CHARACTERISTIC	TECHNICAL DATA				
	MODEL	OA-X2005	OA-X2010	OA-X2020	OA-X2040
Path Length	0.5 mm	1 mm	2 mm	4 mm	10 mm
Parameters	TOC, DOC				
Range	Depends on model selected. Refer to range chart.				
Units	mg/L				
Sampling Time	10 seconds				
Calibration	Factory calibrated. Field adjustment of calibration is possible.				
Cleaning	Automatic compressed air cleaning with optional Real Air Clean Systems				
Self-Diagnostics	Detection and diagnosis of internal system fault				
Alarms	Continuous detection of leaks, lamp output, humidity, temperature and electrical fault				
Humidity Control	Humidity sensor with desiccant pack				
Wavelengths	Multiple wavelengths				
Light Source	UV LED				
Electrical/Comm.	From controller				
Storage Temp.	-20 to 60°C (-4 to 140°F)				
Operating Temp.	0 to 45°C (32 to 113°F)				
Housing Material	Titanium				
Weight	4.6 lb				
Dimensions	15" H x 2.0" Diameter				
Warranty	2-year limited warranty (Extended care packages available)				

* Technical Specifications are subject to change without notice.

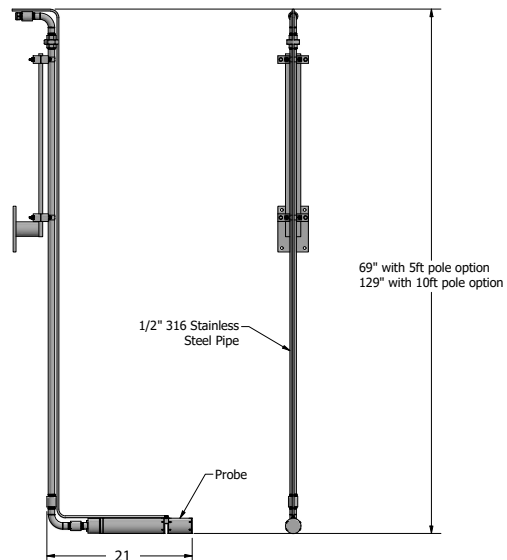
DIMENSIONS

The TOC probe is a submersible instrument installed directly in-situ using a mounting kit attached to a tank wall or railing.

DIMENSIONS FOR TOC PROBE



MOUNTING FOR TOC PROBE



PROBE MODELS & RANGE

Includes TOC probe sensor and 35 feet of communication cable.
Controller, mounting kit and cleaning system sold separately.

Measurement range can be extended using Real Tech's TOC Sensor.
Please contact Real Tech for more information.

MUNICIPAL

MODEL#	PATH LENGTH	TOC / DOC (mg/L)
OA-X2005	0.5 mm	0 - 800
OA-X2010	1 mm	0 - 400
OA-X2020	2 mm	0 - 200
OA-X2040	4 mm	0 - 100
OA-X2100	10 mm	0 - 40

DAIRY

MODEL#	PATH LENGTH	TOC / DOC (mg/L)
OA-X2005	0.5 mm	0 - 2500
OA-X2010	1 mm	0 - 1250
OA-X2020	2 mm	0 - 625
OA-X2040	4 mm	0 - 300
OA-X2100	10 mm	0 - 125

BEVERAGE

MODEL#	PATH LENGTH	TOC / DOC (mg/L)
OA-X2005	0.5 mm	0 - 6000
OA-X2010	1 mm	0 - 3000
OA-X2020	2 mm	0 - 1500
OA-X2040	4 mm	0 - 750
OA-X2100	10 mm	0 - 300

BREWERY

MODEL#	PATH LENGTH	TOC / DOC (mg/L)
OA-X2005	0.5 mm	0 - 6000
OA-X2010	1 mm	0 - 3000
OA-X2020	2 mm	0 - 1500
OA-X2040	4 mm	0 - 750
OA-X2100	10 mm	0 - 300

MEAT PROCESSING

MODEL#	PATH LENGTH	TOC / DOC (mg/L)
OA-X2005	0.5 mm	0 - 2500
OA-X2010	1 mm	0 - 1250
OA-X2020	2 mm	0 - 625
OA-X2040	4 mm	0 - 300
OA-X2100	10 mm	0 - 125

PULP & PAPER

MODEL#	PATH LENGTH	TOC / DOC (mg/L)
OA-X2005	0.5 mm	0 - 500
OA-X2010	1 mm	0 - 250
OA-X2020	2 mm	0 - 125
OA-X2040	4 mm	0 - 60
OA-X2100	10 mm	0 - 25

* Stated ranges are approximate, dependent on industry, site and application - contact Real Tech to confirm model selection

CONTROLLERS

PRODUCT #	NAME	DESCRIPTION
S-169000	Real Controller	Wall mounted controller with 4-line x 20-character back lit LCD display
S-11TPC	Real Controller Pro	Wall mounted controller with touch panel PC interface (PC inside cabinet model)
S-11TPCD	Real Controller Pro	Wall mounted controller with touch panel PC interface (PC external on door model)

ACCESSORIES

PRODUCT #	NAME	DESCRIPTION
S-188101	Air Clean System I	Air cleaning valve module requires on-site air (no compressor)
S-188102	Air Clean System II	Low power automatic CO ₂ air cleaning system
S-188103	Air Clean System III	Automatic compressed air cleaning system including compressor
S-219081	Probe Mounting Kit I	Provides secure mounting attachment for titanium probe to a tank wall or open channel wall. No pole included.
S-219082	Probe Mounting Kit II	Provides secure mounting attachment for titanium probe to a tank wall or open channel wall. 5' pole included.
S-219083	Probe Mounting Kit III	Provides secure mounting attachment for titanium probe to a tank wall or open channel wall. 10' pole included.

Real Tech Inc.

1150 Champlain Court,
Whitby, Ontario L1N 6K9 Canada
TF: 1.877.779.2888 T: 1.905.665.6888
info@realtechwater.com

REALTECH
INC.