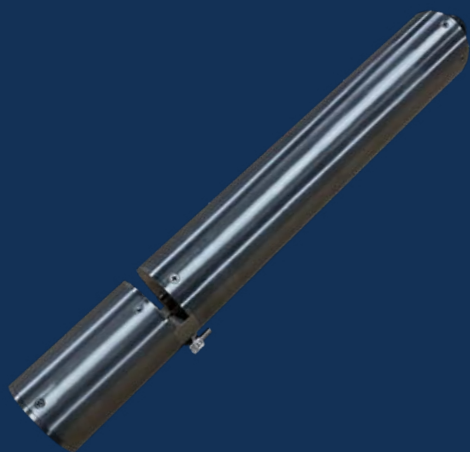


CHROMIUM VI PROBE

CRA SERIES



FEATURES & BENEFITS

- Affordable real-time chromium VI monitoring
- Multiple wavelength sensor uses patent-pending technology for superior measurement performance
- Robust submersible probe with titanium or stainless steel housing
- Operator friendly, low maintenance UV LED design
- Reagent free optical measurements
- Simple to install and operate

MUNICIPAL WASTEWATER
INDUSTRIAL WASTEWATER

WATER QUALITY
MONITORING
SOLUTIONS

REAL-TIME MONITORING SOLUTION

Chromium VI Probe

Real Tech's robust Chromium VI submersible probe provides affordable real-time measurement of changes in chromium VI concentration in wastewater. The probe's rugged body is built to withstand harsh environments, with titanium or stainless steel options. Designed to meet the needs of many monitoring applications, the CRA series offers multiple path length selections for the desired measurement range.

Controllers and Accessories

Our innovative modular product platform ensures our clients gain the real-time water quality monitoring system that meets their specific demands and budget. With multiple controller and accessory options available such as automatic compressed air cleaning systems that lower maintenance while improving system performance, Real Tech provides a total solution for all of your unique water quality needs.

Liquid Ai Compatible

Our Liquid Ai data services complement our real-time water quality monitoring systems. Our Remote Monitoring platform is a powerful data management and visualization tool that enables access to data anywhere, anytime.

MEASUREMENT PRINCIPLE

Real Tech's Chromium VI probe utilizes patent-pending technology to provide superior measurement performance across multiple wavelengths of light using UV LEDs. Many compounds absorb light in the UV-VIS spectrum, and how much the compounds absorb is directly proportional to their concentration. Compounds that may interfere with chromium VI measurement are compensated for using additional reference wavelengths. Real Tech's innovative Chromium VI probe is advancing wastewater management.

REALTECH
INC.



CHROMIUM VI PROBE SPECIFICATIONS

CHARACTERISTIC	TECHNICAL DATA
Path Length	1, 2, 4, 10 mm
Parameter	Chromium VI
Range	Depends on model selected. Refer to range chart.
Accuracy	± 1% full scale
Units	mg/L
Sampling Time	10 seconds
Calibration	Factory calibrated. Field adjustment of calibration is possible.
Cleaning	Automatic compressed air or pressurized water cleaning with optional Probe Clean System
Self-Diagnostics	Detection and diagnosis of internal system fault
Alarms	Continuous detection of leaks, lamp output, humidity, temperature and electrical fault
Humidity Control	Humidity sensor with desiccant pack
Wavelengths	Multiple wavelengths
Light Source	UV LED
Electrical/Comm.	From controller
Operating Temp.	0 to 45°C (32 to 113°F)
Housing Material	Titanium or stainless steel
Wetted Materials	Titanium, Epoxy, Sapphire, SS 316L, Viton
Weight	4.6 lb
Dimensions	15" H x 2.0" Diameter
Warranty	2-year limited warranty (Extended care packages available)

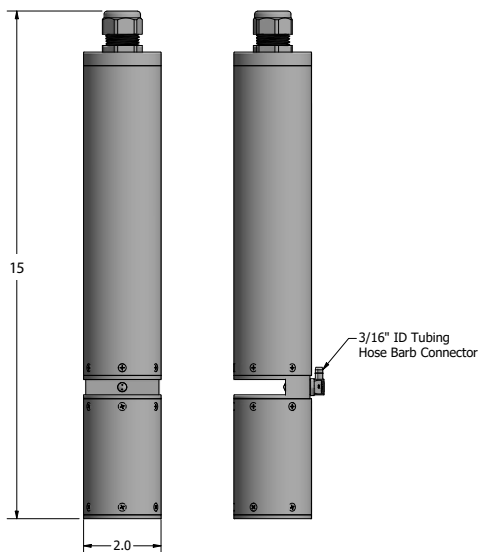
* Technical Specifications are subject to change without notice.

* Operating (water) temperature absolute maximum 55°C (131°F). Instrument performance reduced when operating outside recommended operating range. Contact Real Tech to verify application.

DIMENSIONS

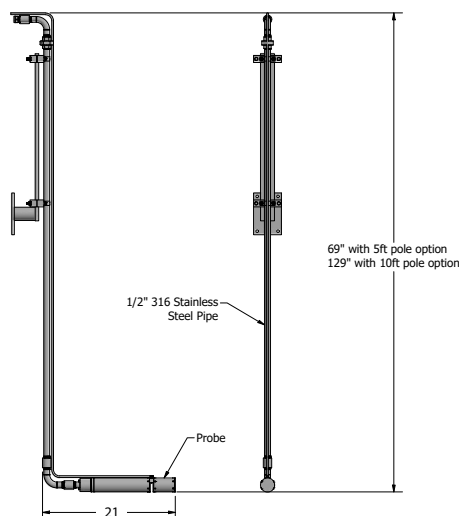
The chromium VI probe is a submersible instrument installed directly in-situ using a pole mounting kit or chain mount.

DIMENSIONS FOR CHROMIUM VI PROBE



MOUNTING FOR CHROMIUM VI PROBE

Pole mount



Chain mount



PROBE MODELS & RANGE

Includes titanium (-X) or stainless steel (-S) chromium VI probe sensor and 35 feet of communication cable. Controller, mounting kit and cleaning system sold separately.

MODEL#	PATH LENGTH	CHROMIUM VI (ppm) pH 9 OR HIGHER	CHROMIUM VI (ppm) pH 6-9	CHROMIUM VI (ppm) pH 3-6
CRA-X2010 / CRA-S2010	1 mm	0 - 144	0 - 200	0 - 288
CRA-X2020 / CRA-S2020	2 mm	0 - 72	0 - 100	0 - 144
CRA-X2040 / CRA-S2040	4 mm	0 - 36	0 - 50	0 - 72
CRA-X2100 / CRA-S2100	10 mm	0 - 15	0 - 20	0 - 30

* Stated ranges are based on testing in deionized water. Site specific conditions, such as interfering substances in the water, may limit the measuring range and accuracy. Please contact Real Tech to confirm model selection.

CONTROLLERS

PRODUCT #	NAME	DESCRIPTION
S-169000	Real Controller	Wall mounted controller with 4-line x 20-character back lit LCD display
S-11TPC	Real Controller Pro	Wall mounted controller with touch panel PC interface (PC inside cabinet model)
S-11TPCD	Real Controller Pro	Wall mounted controller with touch panel PC interface (PC external on door model)

ACCESSORIES

PRODUCT #	NAME	DESCRIPTION
S-228070	Probe Clean System	Cleaning valve module requires on-site compressed air or pressured water for automatic probe cleaning
S-228080	Compressed Air System	Compressor for air cleaning when compressed air not available on-site
S-219081	Probe Mounting Kit I	Provides secure mounting attachment for titanium or stainless steel probe to a tank wall or open channel wall. No pole included.
S-219082	Probe Mounting Kit II	Provides secure mounting attachment for titanium or stainless steel probe to a tank wall or open channel wall. 5' pole included.
S-219083	Probe Mounting Kit III	Provides secure mounting attachment for titanium or stainless steel probe to a tank wall or open channel wall. 10' pole included.
S-229085	Chain Mount	Stainless steel chain for mounting probe in open channel

Real Tech Inc.

1150 Champlain Court,
Whitby, Ontario L1N 6K9 Canada
TF: 1.877.779.2888 T: 1.905.665.6888
info@realtechwater.com

REALTECH
INC.