

MULTI-WAVE PROBE

WATER QUALITY
MONITORING
SOLUTIONS

SA SERIES



FEATURES & BENEFITS

- Affordable real-time water quality monitoring
- Multiple wavelength sensor uses patent-pending technology for superior measurement performance
- Robust submersible probe with titanium or stainless steel housing
- Operator friendly, low maintenance UV LED design
- Reagent free optical measurements
- Simple to install and operate
- Multiple parameter configuration available
- Parameters include BOD, COD, TOC, DOC, UV254, UVT, TSS, colour, O3

REAL-TIME MONITORING SOLUTION

Multi-Wave Probe

Real Tech's robust Multi-Wave submersible probe provides affordable real-time measurement of organic matter and other compounds in water or wastewater. The probe's rugged body is built to withstand harsh environments, with titanium or stainless steel options. Designed to meet the needs of many monitoring applications, the SA series offers multiple path length selections for the desired measurement range.

Controllers and Accessories

Our innovative modular product platform ensures our clients gain the real-time water quality monitoring system that meets their specific demands and budget. With multiple controller and accessory options available such as automatic compressed air cleaning systems that lower maintenance while improving system performance, Real Tech provides a total solution for all of your unique water quality needs.

Liquid Ai Compatible

Our Liquid Ai data services complement our real-time water quality monitoring systems. Calibration Health Monitoring ensures accuracy and reliability are maintained so our clients can have the utmost confidence in their results, while our Remote Monitoring platform enables access to data anywhere, anytime.

MEASUREMENT PRINCIPLE

Real Tech's Multi-Wave probe utilizes patent-pending technology to provide superior measurement performance across multiple wavelengths of light using UV LEDs. Many compounds absorb light in the UV-VIS spectrum, and how much the compounds absorb is directly proportional to their concentration. Compounds that may interfere with measurement are compensated for using additional reference wavelengths. Real Tech's innovative Multi-Wave probe is advancing water and wastewater management.

MUNICIPAL DRINKING WATER
MUNICIPAL WASTEWATER
INDUSTRIAL PROCESS WATER
INDUSTRIAL WASTEWATER

REALTECH
INC.



MULTI-WAVE PROBE SPECIFICATIONS

CHARACTERISTIC	TECHNICAL DATA
Path Length	0.5, 1, 2, 4, 10 mm
Parameters	Customized to application. BOD, COD, TOC, DOC, UV254, UVT, TSS colour, O ₃
Range	Depends on model selected. Refer to range chart.
Units	Parameter specific (mg/L, cm ⁻¹ , % or PCU)
Sampling Time	10 seconds
Calibration	Factory calibrated. Field adjustment of calibration is possible.
Cleaning	Automatic compressed air or pressurized water cleaning with optional Probe Clean System
Self-Diagnostics	Detection and diagnosis of internal system fault
Alarms	Continuous detection of leaks, lamp output, humidity, temperature and electrical fault
Humidity Control	Humidity sensor with desiccant pack
Wavelengths	Multiple UV and VIS wavelengths. Application-dependent
Light Source	UV LED
Electrical/Comm.	From controller
Operating Temp.	0 to 45°C (32 to 113°F)
Housing Material	Titanium or stainless steel
Wetted Materials	Titanium, Epoxy, Sapphire, SS 316L, Viton
Weight	4.6 lb
Dimensions	15" H x 2.0" Diameter
Warranty	2-year limited warranty (Extended care packages available)

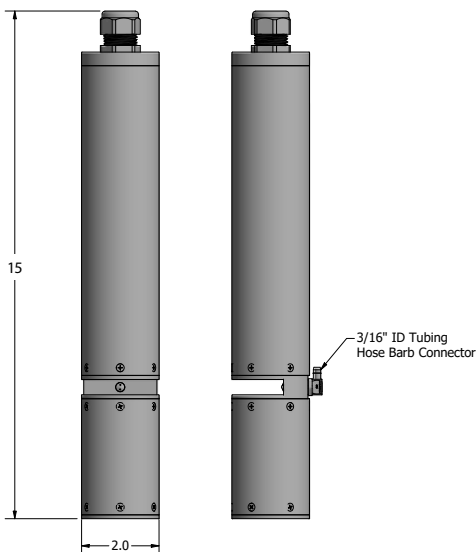
* Technical Specifications are subject to change without notice.

* Operating (water) temperature absolute maximum 55°C (131°F). Instrument performance reduced when operating outside recommended operating range. Contact Real Tech to verify application.

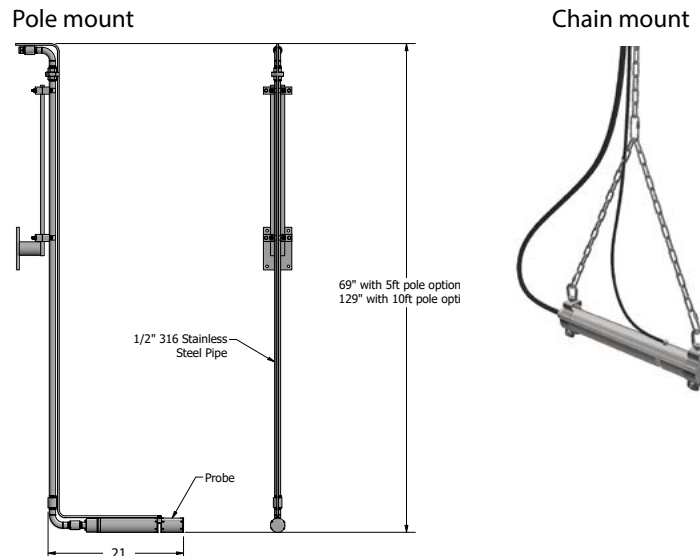
DIMENSIONS

The multi-wave probe is a submersible instrument installed directly in-situ using a pole mounting kit or chain mount.

DIMENSIONS FOR MULTI-WAVE PROBE



MOUNTING FOR MULTI-WAVE PROBE



PROBE MODELS & RANGE

Includes titanium (-X) or stainless steel (-S) multi-wave probe sensor and 35 feet of communication cable. Controller, mounting kit and cleaning system sold separately.

MODEL#	PATH LENGTH	BOD (mg/L)	COD (mg/L)	TOC/DOC (mg/L)	UV254 (cm ⁻¹)	UVT (%)	COLOUR (PCU)
SA-X2005 / SA-S2005	0.5 mm	0 - 1500	0 - 3000	0 - 800	0 - 40	0 - 100	0 - 20,000
SA-X2010 / SA-S2010	1 mm	0 - 750	0 - 1500	0 - 400	0 - 20	0 - 100	0 - 10,000
SA-X2020 / SA-S2020	2 mm	0 - 375	0 - 750	0 - 200	0 - 10	0 - 100	0 - 5000
SA-X2040 / SA-S2040	4 mm	0 - 190	0 - 375	0 - 100	0 - 5	0 - 100	0 - 2500
SA-X2100 / SA-S2100	10 mm	0 - 75	0 - 150	0 - 40	0 - 2	1 - 100	0 - 1000

* Stated ranges are approximate, dependent on industry, site and application - contact Real Tech to confirm model selection

CONTROLLERS

PRODUCT #	NAME	DESCRIPTION
S-169000	Real Controller	Wall mounted controller with 4-line x 20-character back lit LCD display
S-11TPC	Real Controller Pro	Wall mounted controller with touch panel PC interface (PC inside cabinet model)
S-11TPCD	Real Controller Pro	Wall mounted controller with touch panel PC interface (PC external on door model)

ACCESSORIES

PRODUCT #	NAME	DESCRIPTION
S-228070	Probe Clean System	Cleaning valve module requires on-site compressed air or pressured water for automatic probe cleaning
S-228080	Compressed Air System	Compressor for air cleaning when compressed air not available on-site
S-219081	Probe Mounting Kit I	Provides secure mounting attachment for titanium or stainless steel probe to a tank wall or open channel wall. No pole included.
S-219082	Probe Mounting Kit II	Provides secure mounting attachment for titanium or stainless steel probe to a tank wall or open channel wall. 5' pole included.
S-219083	Probe Mounting Kit III	Provides secure mounting attachment for titanium or stainless steel probe to a tank wall or open channel wall. 10' pole included.
S-229085	Chain Mount	Stainless steel chain for mounting probe in open channel

Real Tech Inc.

1150 Champlain Court,
Whitby, Ontario L1N 6K9 Canada
TF: 1.877.779.2888 T: 1.905.665.6888
info@realtechwater.com

REALTECH
INC.