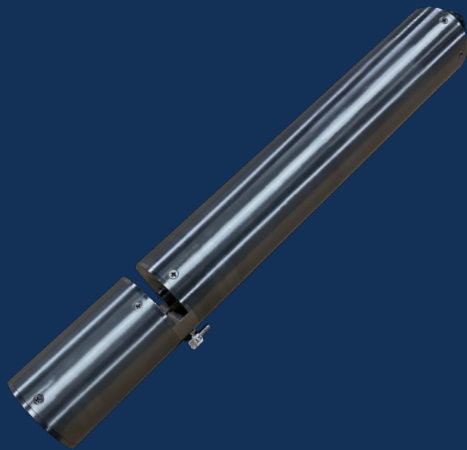


COLOUR PROBE

WATER QUALITY
MONITORING
SOLUTIONS

CA SERIES



FEATURES & BENEFITS

- Affordable real-time colour monitoring
- Multiple wavelength sensor uses patent-pending technology for superior measurement performance
- Robust submersible probe with titanium or stainless steel housing
- Operator friendly, low maintenance design
- Reagent free optical measurements
- In accordance with ISO 6271-2016:05
- Simple to install and operate

MUNICIPAL DRINKING WATER
MUNICIPAL WASTEWATER
INDUSTRIAL PROCESS WATER
INDUSTRIAL WASTEWATER

REAL-TIME MONITORING SOLUTION

Colour Probe

Real Tech's robust submersible Colour Probe provides affordable real-time measurement of colour changes in water or municipal wastewater. The probe's rugged body is built to withstand harsh environments, with titanium or stainless steel options. Designed to meet the needs of many monitoring applications, the CA series offers multiple path length selections for the desired measurement range.

Controllers and Accessories

Our innovative modular product platform ensures our clients gain the real-time water quality monitoring system that meets their specific demands and budget. With multiple controller and accessory options available such as automatic compressed air cleaning systems that lower maintenance while improving system performance, Real Tech provides a total solution for all of your unique water quality monitoring needs.

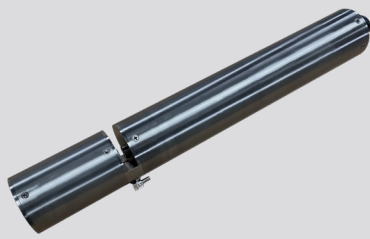
Liquid Ai Compatible

Our Liquid Ai data services complement our real-time water quality monitoring systems. Our Remote Monitoring platform is a powerful data management and visualization tool that enables access to data anywhere, anytime.

MEASUREMENT PRINCIPLE

Real Tech's Colour Probe utilizes patent-pending technology to provide superior measurement performance across multiple wavelengths of light using LEDs. The probe measures hues of yellow in the water in accordance with ISO 6271-2016:05. Compounds that may interfere with colour measurement, such as particles, are compensated for using an additional reference wavelength. Real Tech's colour probe is advancing water and wastewater management.

REALTECH
INC.



COLOUR PROBE SPECIFICATIONS

CHARACTERISTIC	TECHNICAL DATA	
	CA-X	CA-S
Model	CA-X	CA-S
Path Length	1, 2, 4, 10 mm	
Parameters	Colour	
Range	Depends on model selected. Refer to range chart.	
Accuracy	± 0.5% full scale	
Units	PCU, mg/L Pt-Co or HU (hazen units)	
Sampling Time	10 seconds	
Calibration	Factory calibrated. Field adjustment of calibration is possible.	
Cleaning	Automatic compressed air or pressurized water cleaning with optional Probe Clean System	
Self-Diagnostics	Detection and diagnosis of internal system fault	
Alarms	Continuous detection of leaks, lamp output, humidity, temperature and electrical fault	
Humidity Control	Humidity sensor with desiccant pack	
Wavelengths	Visible (VIS)	
Light Source	LED	
Electrical/Comm.	From controller	
Pressure Rating	15 PSI	
Operating Temp.	0 to 45°C (32 to 113°F)	
Housing Material	Titanium (Grade 2)	Stainless steel (SS 316)
Wetted Materials	Titanium, Epoxy, Sapphire, SS 316, Viton	Epoxy, Sapphire, SS 316, Viton
Weight	1.5kg (3.31lb)**	2.5kg (5.25lb)**
Ingress Protection Type	IPX8	
Dimensions	15" H x 2.0" Diameter	
Warranty	2-year limited warranty (Extended care packages available)	

* Technical Specifications are subject to change without notice.

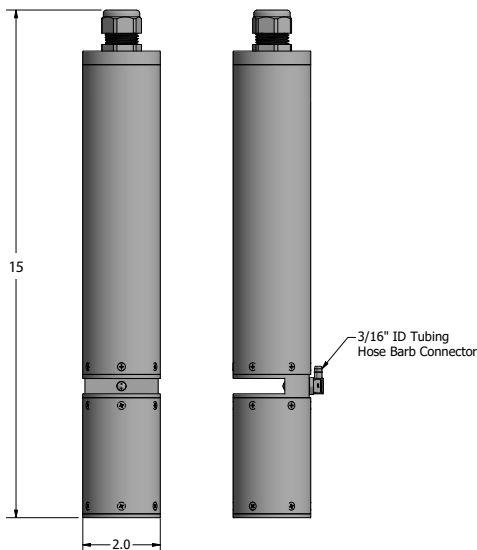
* Operating (water) temperature absolute maximum 55°C (131°F). Instrument performance reduced when operating outside recommended operating range. Contact Real Tech to verify application.

** Weight does not include cable. Cable weight: 0.70kg (1.55lb).

DIMENSIONS

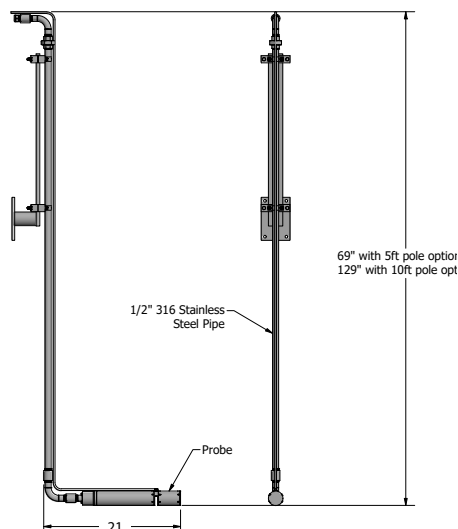
The colour probe is a submersible instrument installed directly in-situ using a pole mounting kit or chain mount.

DIMENSIONS FOR COLOUR PROBE



MOUNTING FOR COLOUR PROBE

Pole mount



Chain mount



PROBE MODELS & RANGE

Includes titanium (-X) or stainless steel (-S) colour probe sensor and 35 feet of communication cable. Controller, mounting kit and cleaning system sold separately.

MODEL#	PATH LENGTH	COLOUR (PCU)
CA-X2010 / CA-S2010	1 mm	0 - 10,000
CA-X2020 / CA-S2020	2 mm	0 - 5,000
CA-X2040 / CA-S2040	4 mm	0 - 2,500
CA-X2100 / CA-S2100	10 mm	0 - 1,000

* Stated ranges are based on testing in deionized water. Interfering substances that may be present in the water may reduce the upper end of the measuring range. Please contact Real Tech to confirm model selection.

CONTROLLERS

Controllers include proprietary inputs for Real Tech sensors and accessories.

PRODUCT #	NAME	DESCRIPTION
S-229005	Real Controller Lite	Wall mounted controller with 4-line x 20-character back lit LCD display. Includes modbus RTU (RS485)
S-169000	Real Controller	Wall mounted controller with 4-line x 20-character back lit LCD display. Includes modbus RTU (RS485), 1 channel of 4-20 mA out and digital I/O module
S-11TPC	Real Controller Pro	Wall mounted controller with 12.1" colour LCD touch panel PC interface (PC inside cabinet model). Includes Modbus TCP
S-11TPCD	Real Controller Pro	Wall mounted controller with 12.1" colour LCD touch panel PC interface (PC external on door model). Includes Modbus TCP

ACCESSORIES

PRODUCT #	NAME	DESCRIPTION
S-228070	Probe Clean System	Cleaning valve module requires on-site compressed air or pressured water for automatic probe cleaning
S-228080	Compressed Air System	Compressor for air cleaning when compressed air not available on-site
S-219081	Probe Mounting Kit I	Provides secure mounting attachment for titanium or stainless steel probe to a tank wall or open channel wall. No pole included.
S-219082	Probe Mounting Kit II	Provides secure mounting attachment for titanium or stainless steel probe to a tank wall or open channel wall. 5' pole included.
S-219083	Probe Mounting Kit III	Provides secure mounting attachment for titanium or stainless steel probe to a tank wall or open channel wall. 10' pole included.
S-229085	Chain Mount	Stainless steel chain for mounting probe in open channel

Real Tech Inc.

1150 Champlain Court,
Whitby, Ontario L1N 6K9 Canada
TF: 1.877.779.2888 T: 1.905.665.6888
info@realtechwater.com

REALTECH
INC.