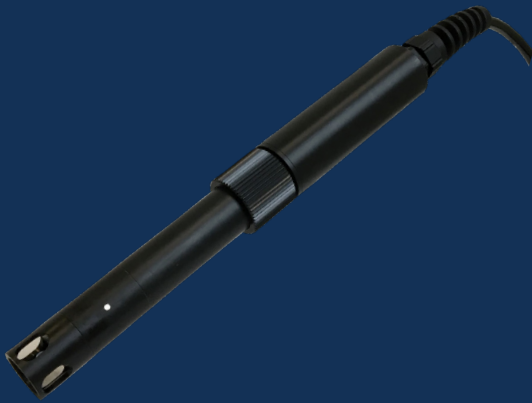


pH/ORP PROBE

PHORP1000A / PHORP1000L



FEATURES & BENEFITS

- Affordable real-time pH, ORP and temperature monitoring
- Combined electrode technology
- Range for wastewater to high purity applications
- Robust and compact design
- Innovative reference increases lifetime
- Simple to install and easy to operate

MUNICIPAL DRINKING WATER
MUNICIPAL WASTEWATER
INDUSTRIAL PROCESS WATER
INDUSTRIAL WASTEWATER

WATER QUALITY
MONITORING
SOLUTIONS

REAL-TIME MONITORING SOLUTION

pH/ORP Probe

Real Tech's bypass pH/ORP sensor provides rapid real-time measurement of pH, ORP (redox) and temperature in water and wastewater. This compact and robust sensor is available as a submersible probe for open channel wastewater installations or as a bypass style sensor for pressurized water installations.

Controllers and Accessories

Our innovative modular product platform ensures our clients gain the real-time water quality monitoring system that meets their specific demands and budget. With multiple sensor, controller and accessory options available, Real Tech provides a total solution for all of your unique water quality needs.

Liquid Ai Compatible

Our Liquid Ai data services complement our real-time water quality monitoring systems. Our Remote Monitoring platform is a powerful data management and visualization tool that enables access to data anywhere, anytime.

MEASUREMENT PRINCIPLE

Real Tech's pH/ORP combination sensors have been designed with a range to perform under harsh wastewater, seawater or high purity water conditions. The sensor features a long life reference with an innovative technology that increases the lifetime of the probe and decreases the frequency of cartridge refill. Ideal for many applications, the sensor features a quick response time, minimal flow dependence and low power consumption.

REALTECH
INC.



pH/ORP PROBE SPECIFICATIONS

CHARACTERISTIC	TECHNICAL DATA
Parameters	pH, ORP, temperature
pH Range	0 – 14 pH
Accuracy	+/- 0.1 pH
Resolution	0.01 pH
pH Measurement Principle	Combined electrode (pH/ref): special glass, Ag/AgCl ref. Gelled electrolyte (KCl)
ORP Range	-1000 to 1000 mV
Accuracy	+/- 2 mV
Resolution	0.1 mV
ORP Measurement Principle	Combined electrode (Redox/ref): Platinum tip, Ag/AgCl. Gelled electrolyte (KCl)
Temperature Compensation	NTC thermistor
Electrical/Communication	From controller
Operating Temp.	0°C to 50°C (32 to 122°F)
Storage Temp.	0°C to 60°C (32 to 140°F)
Weight	1 lb
Warranty	2-year limited

SPECIFICATIONS FOR PHORP1000A ONLY

Dimensions	8.15"H x 1.06" Diameter
------------	-------------------------

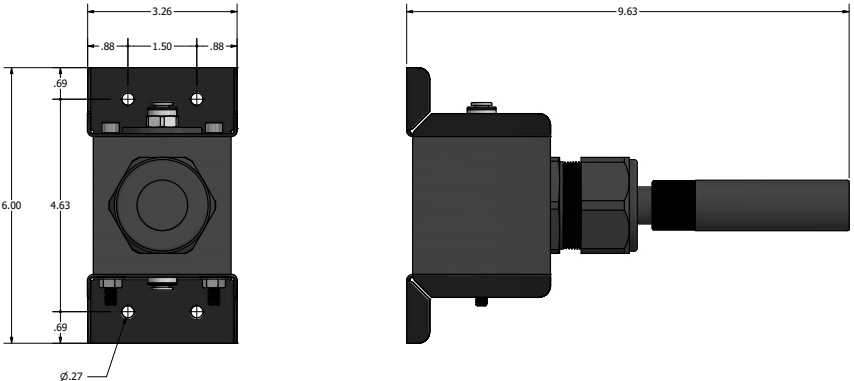
SPECIFICATIONS FOR PHORP1000L ONLY

Flow Rate	300-1000 mL/min
Maximum Pressure	5 PSI maximum
Fluid Connections	1/4" OD tube push-in fittings
Dimensions	6.00"H x 3.26"W x 9.63"D

* Technical Specifications are subject to change without notice.

DIMENSIONS FOR PHORP1000L

The pH/ORP sensor is installed in a bypass manifold that is mounted directly on a wall, railing or system backboard. Sample is supplied to the sensor from a pressurized source.



SENSOR MODELS

Includes pH/ORP probe and 50 ft communication cable.
Controller and accessories sold separately.

MODEL #	NAME	DESCRIPTION
PHORP1000A	Real pH/ORP Probe Sensor	Submersible probe ideal for open channel wastewater applications. Optional Mounting Kits available.
PHORP1000L	Real pH/ORP Bypass Sensor	Bypass style sensor ideal for pressurized water applications. Includes bypass chamber.

RANGE

MODEL #	pH RANGE	ORP RANGE
PHORP1000A / PHORP1000L	0-14	-1000-1000 mV

* Stated ranges approximate, dependent on industry, site and application

CONTROLLERS

Controllers include proprietary inputs for Real Tech sensors and accessories.

PRODUCT #	NAME	DESCRIPTION
S-229005	Real Controller Lite	Wall mounted controller with 4-line x 20-character back lit LCD display. Includes modbus RTU (RS485)
S-169000	Real Controller	Wall mounted controller with 4-line x 20-character back lit LCD display. Includes modbus RTU (RS485), 1 channel of 4-20 mA out and digital I/O module
S-11TPC	Real Controller Pro	Wall mounted controller with 12.1" colour LCD touch panel PC interface (PC inside cabinet model). Includes Modbus TCP
S-11TPCD	Real Controller Pro	Wall mounted controller with 12.1" colour LCD touch panel PC interface (PC external on door model). Includes Modbus TCP

ACCESSORIES

PRODUCT #	NAME	DESCRIPTION
S-189051	Mounting Kit I	Probe Mounting Kit I with nozzle for PHORP1000A. No pole included.
S-189052	Mounting Kit II	Probe Mounting Kit II with nozzle for PHORP1000A. 5' pole included.
S-189053	Mounting Kit III	Probe Mounting Kit III with nozzle for PHORP1000A. 10' pole included.

Real Tech Inc.

1150 Champlain Court,
Whitby, Ontario L1N 6K9 Canada
TF: 1.877.779.2888 T: 1.905.665.6888
info@realtechwater.com

REALTECH
INC.